

Product Introduction

IPL Therapy System holds a wavelength from 420nm to 1200nm. Different wavelength is adopted in treatment based on clinical requirements. This system is focus on treating various kinds of clinical indications including pigmented lesions and vascular diseases as well as hair removal and skin rejuvenation. It contains a wide clinical range.

Treatment Principle:

IPL Therapy System follows selective photothermolysis principle. Certain wavelength that can be used in and absorbed by targeted tissues. Targeted tissues will be destroyed according to targeted chromophore's selective absorption to light. What's more, the pulse width shall be smaller than or equal to targeted tissues' thermal relaxation time, then its damage to surrounding tissues will be minimized because of insufficient time for heat delivery.





HR Treatment Handpiece

- Wavelength: 690~1200nm
- Spot size: 16×57mm²,
Fluence: up to 45J/cm²



SR Treatment Handpiece

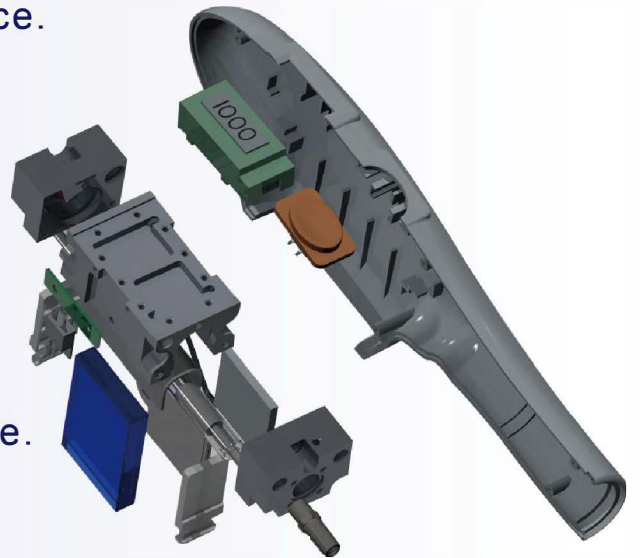
- Wavelength: 560~1200nm
- Spot size: 8×34mm², 40J/cm²



VR Treatment Handpiece (optional)

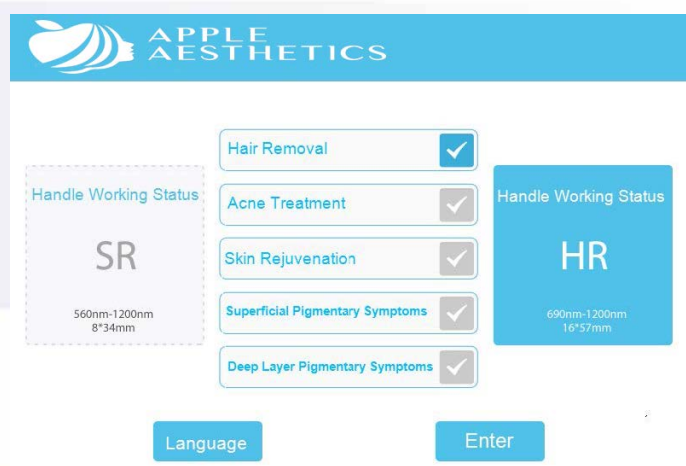
- Wavelength: 420~1200nm
 - Spot size: 8×34mm², 45J/cm²
-

1. Smart and unique designed handpiece.
2. Exactly under controlled energy.
3. Distinct refrigeration advantage.
4. Intelligent and simple operation mode.
- 5 Super spot size.



Flattening UI design

Simply setting of parameters



Acne

Treatment head: : SR

Wavelength range : 560-1200nm

Symptom : Acne Treatment

Fluence : 12J/cm²



Freckle

Treatment head: SR

Wavelength range: 560-1200nm

Symptom: Superficial Pigmentary Symptoms

Fluence: 11J/cm²



Vascular Disease

Treatment head: VR

Wavelength range: 420-1200nm

Symptom: Vascular Lesion Elimination

Fluence: 10J/cm²



Hair Removal

Treatment head: HR

Wavelength range: 690-1200nm

Mode: SHR Fluence: 6J/cm² Pulse Width: 4ms

Frequency: 1Hz Symptom: Hair Removal



Declaration:

Parameter ranges are formulated based on large number of clinical practices.

It is suggested that the operator shall confirm the right treatment parameters in accordance with actual clinical situation.



General Features

Equipment Model	SMQ-NYC
Operational Mode	Continuous operation
Wavelength	Wave length of SR treatment Handpiece: 560nm - 1200nm
	Wave length of HR treatment Handpiece: 690nm - 1200nm
Maximum Fluence	HR treatment Handpiece: 45J/cm ² ±20%
	SR treatment Handpiece: 40J/cm ² ±20%
Spot Size	Size of HR Aperture: 16mm×57mm, error range: ±0.1mm
	Size of SR Aperture: 8mm×34mm, error range: ±0.1mm
Dimensions	525mm×490mm×1080mm (L x W x H)
Net weight	45kg

Note: The VR treatment handpiece is an option that can be ordered separately and shares the same handpiece connection with SR treatment handpiece. Basic treatment parameters for VR treatment is as followed:

Wavelength	420nm–1200nm
Spot Size	8mm×34mm, Error range: ±0.1mm
Maximum Fluence	45J/cm ² ±20%